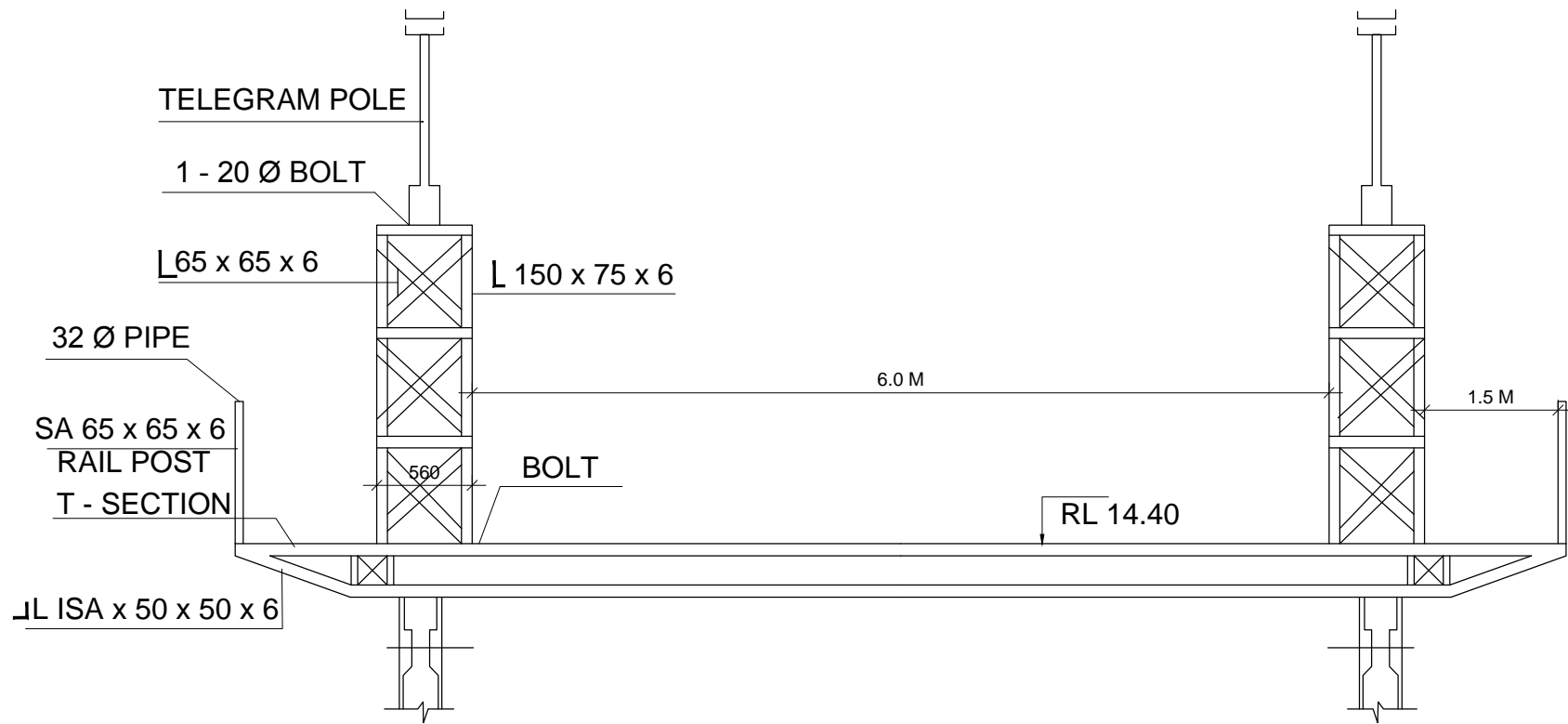
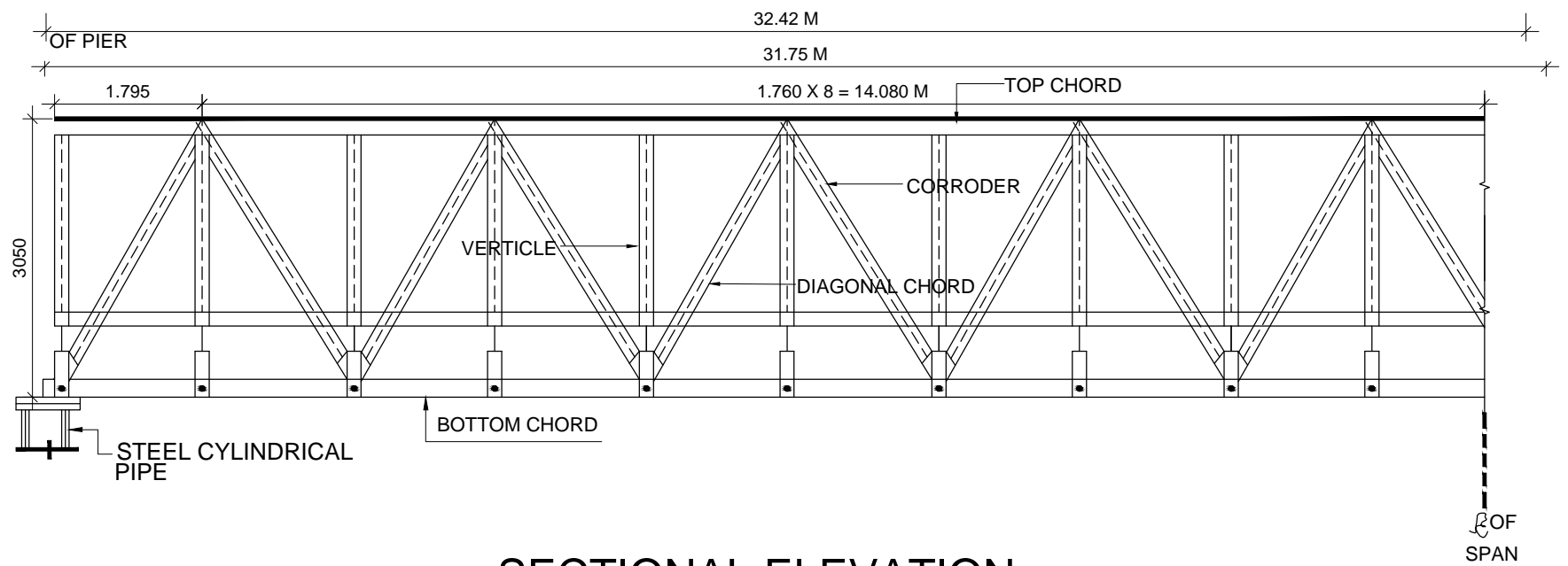


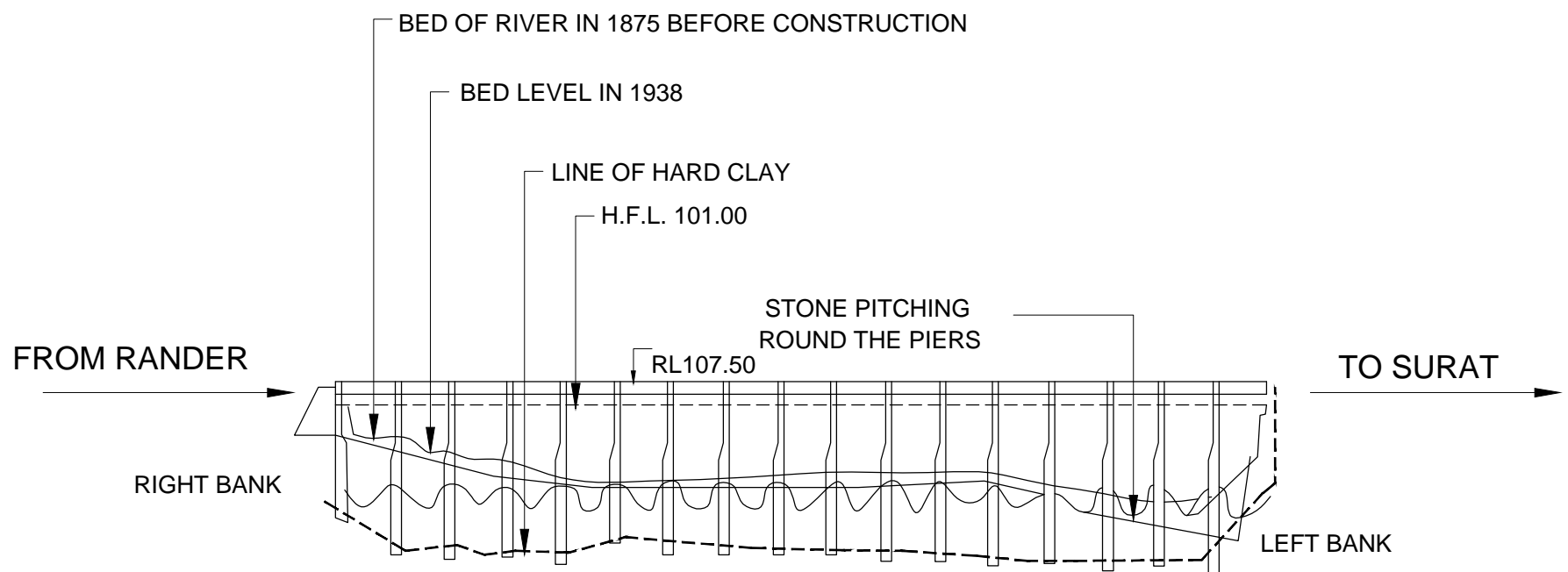
Hope Bridge across river Tapti



CROSS SECTION



SECTIONAL ELEVATION



BED LVL. IN 1938	94.58	82.75	72.68	66.75	64.75	62.75	61.75	61.75	62.75	61.75	64.75	67.75	67.75	63.75	52.75	44.75	44.75	40.75
RL OF BOTTOM OF PIER	32	21	19	17.5	19	28	23	22	23	21	20	22	20	18	19	18	17	

SECTIONAL ELEVATION